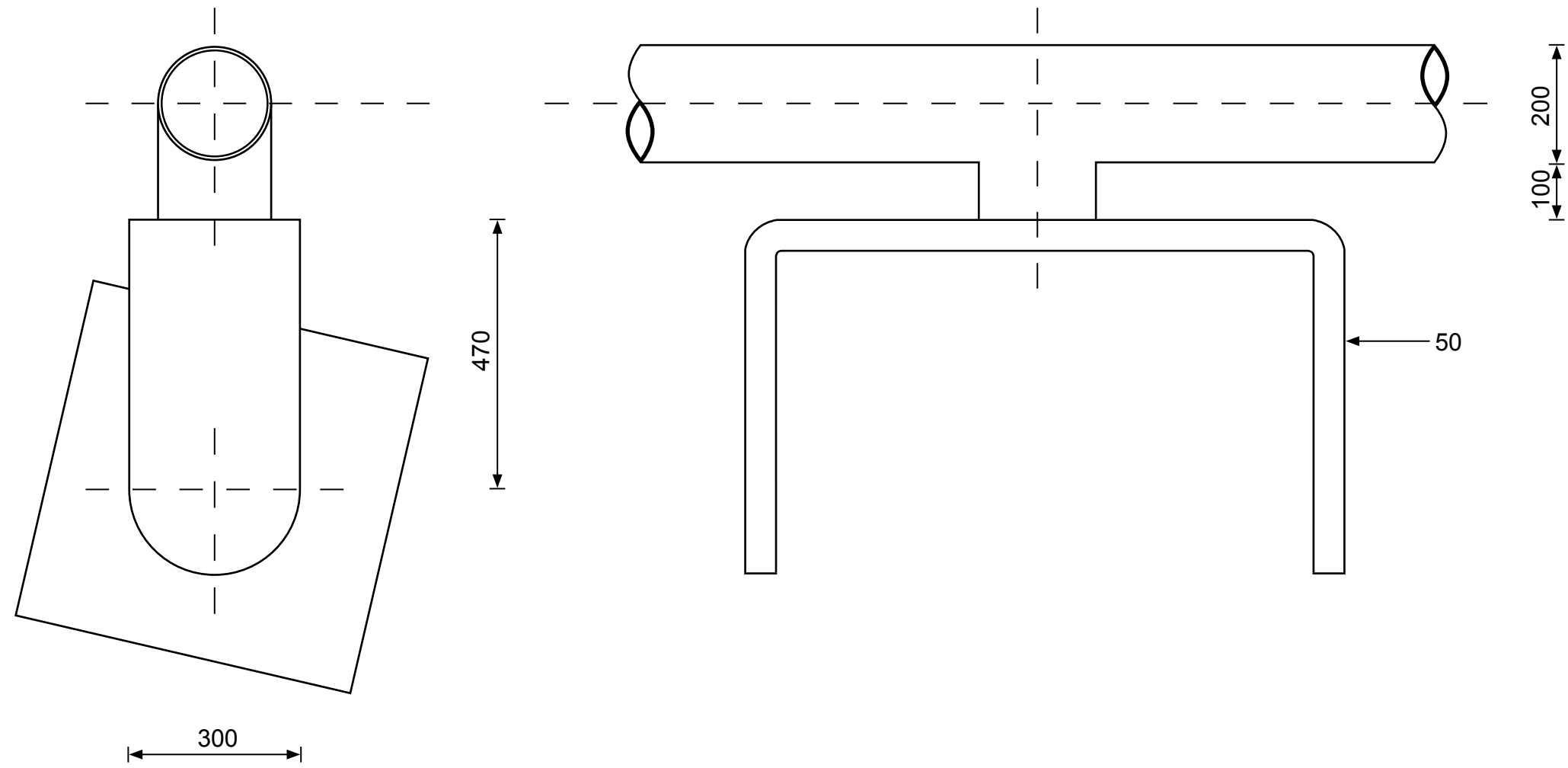


11 (a)



NAMIBIA SENIOR SECONDARY CERTIFICATE

DESIGN AND TECHNOLOGY ORDINARY LEVEL 4129/1

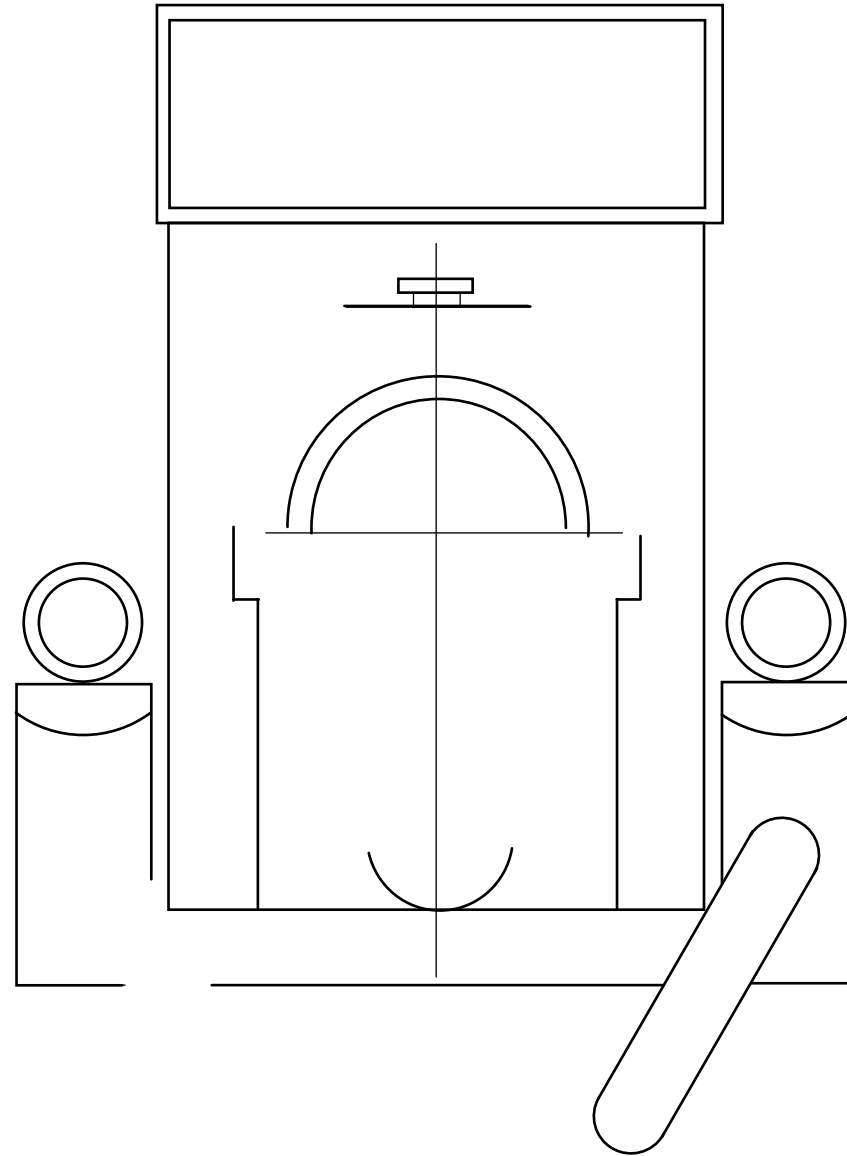
Answer Sheet for Question 11: Page Number of Pages

Centre Number

Candidate Number

Candidate Name

11 (b)



NAMIBIA SENIOR SECONDARY CERTIFICATE

DESIGN AND TECHNOLOGY ORDINARY LEVEL 4129/1

Answer Sheet for Question 11: Page Number of Pages

Centre Number

Candidate Number

Candidate Name