

Candidate Number									Candidate Name	

JUNIOR SECONDARY CERTIFICATE

MATHEMATICS

1200/1

PAPER 1 (Short Questions)

1 hour

Marks 45

2019

Additional Materials: Non-programmable calculator

INSTRUCTIONS AND INFORMATION TO CANDIDATES

- Candidates answer on the Question Paper in the spaces provided.
- Write your Candidate Number and Name in the spaces at the top of this page.
- Answer **all** the questions. **All working must be shown clearly.**
- Write in dark blue or black pen.
- You may use a non-programmable calculator.
- Do not use correction fluid.
- Do not write in the margin *For Examiner's Use*.
- If an answer is not exact, it should be rounded to **one** decimal place and for money give your answer to **two** decimal places.
- The number of marks available is shown in brackets [] after each question or part question.

For Examiner's Use

--

Marker

Checker

This document consists of **8** printed pages.



Republic of Namibia

MINISTRY OF EDUCATION, ARTS AND CULTURE

1 Write $\frac{23}{6}$ as a mixed number.

Answer [1]

2 In each part, fill in the missing number to make the statement correct.

(a) $(-6 + 4) \times \dots = -14$,

[1]

(b) $\frac{7}{8} = \frac{\dots}{96}$.

[1]

3 Write down the value of 13^0 .

Answer [1]

4 Find the next two terms in the following sequence.

17, 23, 29, 35, , [2]

5 Write 834 000 in standard form.

Answer [2]

6 Work out $\frac{6}{7} \div \frac{8}{3}$.

Show all your working, give your final answer as a fraction in its simplest form.

Answer [2]

- 7 Apples cost N\$2.60 for each kilogram.
Calculate the cost of 4.5 kilograms of apples.

Answer N\$ [1]

- 8 A car travels at a speed of 50 km/h for $\frac{1}{2}$ hour.
How far does it travel?

Answerkm [1]

- 9 In a school of 890 learners, the ratio of boys to girls is 2 : 3.
Calculate the number of girls in the school.

Answergirls [2]

- 10 Convert N\$ 500 into Pounds if the exchange rate is £1 = N\$17.09. Give your
answer correct to 2 decimal places.

Answer £..... [2]

- 11 Mpande invests N\$3500 for 4 years at a rate of 6% per year simple interest.
Calculate the interest that Mpande will receive after 4 years.

Answer N\$ [2]

- 12** The price of a computer set is N\$ 13 450. The price will be reduced by 20%, what will be the new price?

Answer N\$ [2]

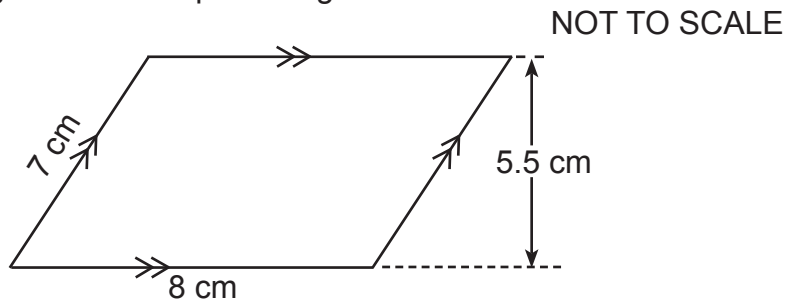
- 13** The total number of goals scored in a Premier League season is 345 goals. Kane scored 29 goals. Calculate, correct to 1 decimal place, the percentage of goals scored by Kane.

Answer % [2]

- 14** Change 65 000 cm² into m².

Answers m² [1]

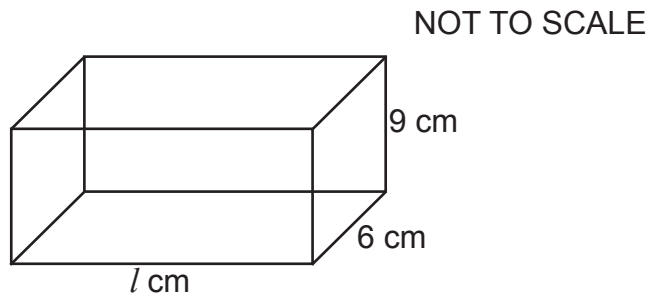
- 15 (a)** The diagram shows a parallelogram.



Calculate the area of the parallelogram.

Answer (a) cm² [2]

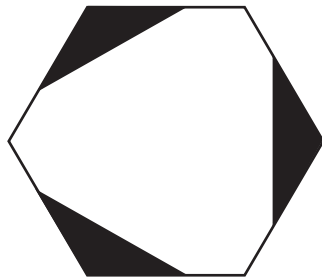
- (b) A cuboid has width 6 cm and a height of 9 cm.



The volume of the cuboid is 675 cm^3 .
Calculate the length(l) of the cuboid.

Answer (b) $l = \dots\dots\dots\text{cm}$ [2]

16



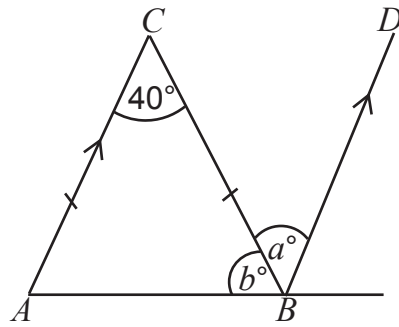
- (a) Write down the order of rotational symmetry of the shape.

Answer (a) $\dots\dots\dots$ [1]

- (b) Draw **all** the lines of symmetry on the shape.

[1]

- 17 Triangle ABC is isosceles and AC is parallel to BD .



NOT TO SCALE

Find the value of a and the value of b .

Answer $a = \dots\dots\dots^\circ$

$b = \dots\dots\dots^\circ$ [2]

- 18 The exterior angle of a regular polygon is 40° .
Find the number of sides of this regular polygon.

Answer $\dots\dots\dots$ sides [2]

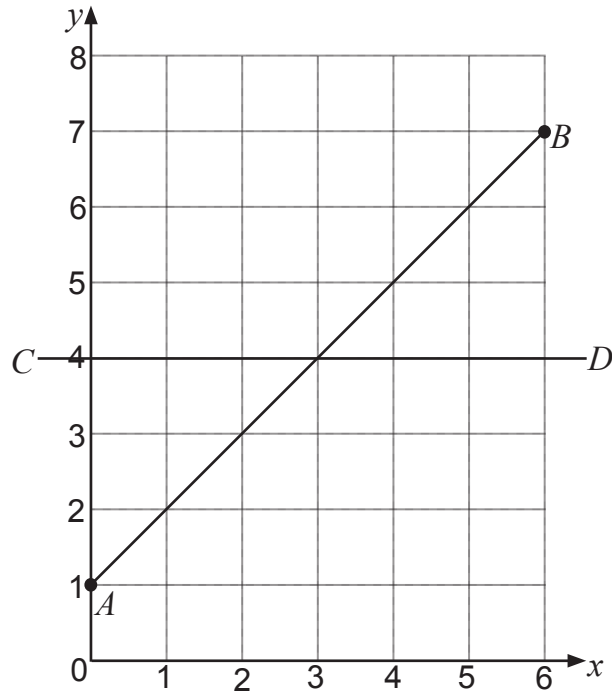
- 19 (a) Simplify $x^3y^4 \times x^5y^3$.

Answer (a) $\dots\dots\dots$ [2]

- (b) Factorise completely $14p^2 + 21pq$.

Answer (b) $\dots\dots\dots$ [2]

20 The line AB and CD are drawn on the grid.



(a) Write down the co-ordinates of A .

Answer (a) (.....,) [1]

(b) Write down the equation of line CD .

Answer (b) [1]

21

2 5 6 2 8 2 6 3 9

From the list of numbers, write down

(a) the range,

Answer (a) [1]

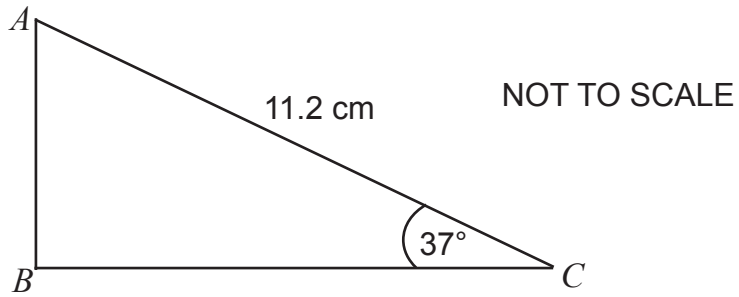
(b) the mode,

Answer (b) [1]

(c) the median.

Answer (c) [2]

22 The diagram shows the right angled triangle ABC .



Calculate the length of AB .

Answercm [2]
