

---

**THINKING SKILLS**

**9694/33**

Paper 3 Problem Analysis and Solution

**October/November 2019**

**2 hours**

Additional Materials:      Electronic Calculator

---

**READ THESE INSTRUCTIONS FIRST**

An answer booklet is provided inside this question paper. You should follow the instructions on the front cover of the answer booklet. If you need additional answer paper ask the invigilator for a continuation booklet.

Answer **all** the questions.

Show your working. Marks may be awarded for correct steps towards a solution, even if the final answer is not correct. Marks may be lost if working needed to support an answer is not shown.

Calculators should be used where appropriate.

The number of marks is given in brackets [ ] at the end of each question or part question.

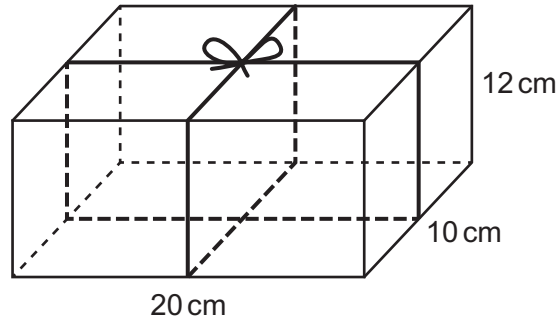


---

This document consists of **10** printed pages, **2** blank pages and **1** Insert.

- 1 An online toy store sells all of its toys in boxes that are wrapped and then tied with coloured string. All of the boxes have dimensions of 20 cm by 10 cm by 12 cm.

A single, continuous piece of string is wrapped around the box in two directions, as shown in the diagram. It is then tied in a bow at the centre of the top face, using the first 8 cm and the last 8 cm of the piece of string.



- (a) Show that the length of string needed for one box is 124 cm. [1]

A new ball of Stripey String contains 100 m of string. It has 10 cm lengths of the colours red, blue and white in a repeating pattern of 10 cm red, 10 cm blue, 10 cm white and so on. A new ball of string starts with 10 cm of red.

A number of boxes are wrapped separately, in turn, using Stripey String. A new ball of string is used, and no string is wasted in between wrapping the boxes.

- (b) (i) For the 1st box, what length of the string used is red? [1]  
 (ii) For the 3rd box, what length of the string used is red? [1]  
 (iii) What is the least total amount of red string that is used for any box, and which boxes in the first 8 use this least amount? [4]

Some toys (wrapped in boxes) are on special offer at 3 for the price of 2. The store decides to stack the 3 boxes on top of each other and use just one piece of string around the stack of 3, with a single bow on top.

- (c) (i) Find the difference between the length of string used when the 3 boxes are wrapped separately and the length of string used when they are wrapped as a stack. [2]  
 (ii) Explain why the difference found in part (c)(i) would be the same if boxes of a different height were used. [1]

**[Question 2 begins on the next page]**

- 2 Electronic passports (e-passports) are only useful if their origin can be checked. To make things simpler, individual countries use 'trust chains' to help them decide which e-passports to accept.

To ensure a consistent approach, all the border staff in a particular country follow the same set of trust policies. Each country trusts its own e-passports, and has a list of other countries whose e-passports it trusts directly, which is equivalent to a set of trust policies. Each country usually publishes all its policies, meaning that everyone else knows what they are.

If A has a policy to trust B, it is shown with an arrow:



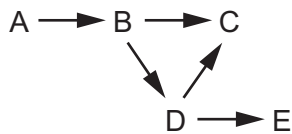
If A trusts B, and B has a published policy to trust C, then A will also trust C. This continues in a chain, so long as A knows about each policy.

- (a) If there were only four countries involved, what would be the minimum number of policies needed for everyone to trust the e-passports from everyone else

(i) if all the policies were published? [1]

(ii) if all the policies were kept secret? [1]

Here are five countries and the five relevant published policies (known to all):



- (b) How many more published policies would be needed so that each country can trust e-passports from all the others? Draw a diagram showing an example. [2]

A federation of 7 countries uses electronic passports, and all the trust policies are published.

- (c) The original passport readers took 30 seconds to check each step in the chain, so it was suggested that chains should be no longer than 2 steps (e.g. A trusts B and B trusts C) to ensure there is never more than a minute's wait when passports are checked.

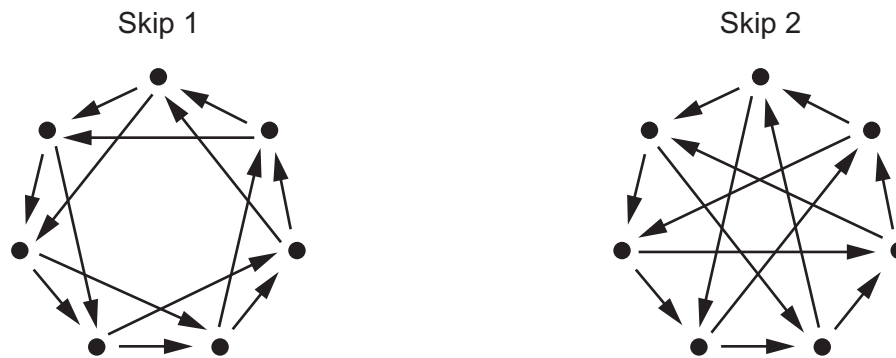
(i) Show a scheme for this federation as a diagram, with the minimum number of policies such that each party can trust any other with a chain of at most 2 steps. Indicate how many policies are required. [2]

(ii) If one country were to leave the federation, what is the worst outcome for the rest? [1]

- (d) A scheme was devised for this federation in which all policies were reciprocated (i.e. if A trusts B then B trusts A) around a single loop.

If one country left, what would be the increase in the longest chain that would be needed between any two countries? [1]

Faster equipment has reduced the time to check, but they want to minimise the average time to wait for a check to be made without having too many policies or problems if one country leaves. Two schemes are proposed, both of which are symmetrical and so provide the same scenario to each country. Checks are always done using a chain that is as short as possible.



- (e) If all checks are equally likely, and no country leaves, which scheme is better? Explain your answer. [2]

- 3** Peregrine is spending a week walking along a famous mountain path. He is planning to walk from hostel to hostel, staying each night at a different one. All the people that he meets on the path are also walking the same route, in one direction or the other, and also staying at hostels.

His map does not show the locations of the hostels, and so he does not know the distances between them. He assumes that everyone else on the path does know the distances, but he does not speak the local language and avoids talking to anyone he meets.

No-one walks before 06:00 or after 18:00 each day.  
No hostels are more than 36 km apart.

Peregrine assumes that he and all other walkers walk at 3 km/h (i.e. 1 km every 20 minutes).

On Monday, Peregrine sets off at 07:00, and at 11:00 meets the first walker coming from the next hostel along the path.

- (a)** What is the greatest distance there could be between the two hostels? [2]

This walker in fact set off at 07:30, and took a 30-minute break just before meeting Peregrine.

- (b)** At what time will Peregrine reach the next hostel, if he takes no breaks himself? [1]

On Tuesday, Peregrine sets off at 09:00. He thinks that the next hostel along this part of the path may be quite far away, and is concerned that he may not reach it before 18:00.

- (c)** At what time should he turn back if he has not met anyone yet? Explain your answer. [2]

He knows that some walkers do not walk all the way from one hostel to the next. Instead, they walk out along the path for a while and then return back the way they came.

On Wednesday, Peregrine leaves his hostel at 09:00.

- (d)** What is the latest time that he could pass a walker who was returning to the hostel that they both started the day in? [2]

Peregrine thinks that most walkers are one of two types:

- The first type like to get to the next hostel as early as possible, in order to relax when they get there. These walkers set off at 06:00 and do not take any breaks.
- The second type like to have lunch up in the mountains. These walkers plan their journey so that they are exactly halfway between hostels at 13:00. They stay at this point for an hour to eat lunch before continuing their journey.

On Thursday, Peregrine sets off at 09:20, and meets the first walkers coming the other way at 10:20.

- (e)** At what time should he expect to meet those who are having lunch in the mountains? [4]

On Friday and Saturday, Peregrine walks in the foothills, where the path is less steep. Families with young children often walk on these sections of the path, and they are also popular with runners. He assumes that families walk at 2 km/h, and runners run at 4 km/h.

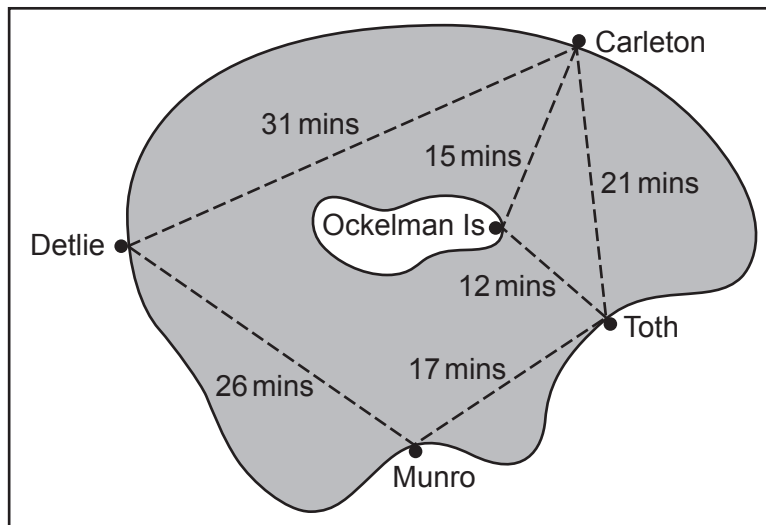
On Friday, Peregrine sets off from his hostel at 09:00. He overtakes a family at 14:00.

- (f) (i) What is the maximum amount of time he might have to walk to reach the next hostel? [1]
- (ii) What is the latest time he can expect to overtake a family who set off from the same hostel as him? [1]

On Saturday, Peregrine sets off from his hostel at 11:00.

- (g) What is the latest time that a runner who overtakes him could have set off from the same hostel as him? [2]

- 4 This map shows the ferry routes on Lake Veronica, together with the time taken to sail from each stop to the next.



Three ferry boats, *Constance*, *Frances* and *Marie*, based at Carleton Ferry Terminal, operate on the lake.

*Constance* sails between Carleton and Munro via Detlie, daily.

*Frances* sails between Carleton and Munro via Toth, daily.

*Marie* sails between Carleton and Toth via Ockelman Island, on Fridays, Saturdays and Sundays only.

### Ferry Departure Times

Constance (Daily)					
Carleton → Munro → Carleton					
Carleton	08:00	10:25	12:50	15:15	17:40
Detlie	08:37	11:02	13:27	15:52	18:17
Munro	09:09	11:34	13:59	16:24	18:49
Detlie	09:41	12:06	14:31	16:56	19:21

Frances (Daily)						
Carleton → Munro → Carleton						
Carleton	08:30	10:30	12:30	14:30	16:30	18:30
Toth	08:57	10:57	12:57	14:57	16:57	18:57
Munro	09:20	11:20	13:20	15:20	17:20	19:20
Toth	09:43	11:43	13:43	15:43	17:43	19:43

Marie (Fridays, Saturdays and Sundays only)						
Carleton → Ockelman Island → Carleton						
Carleton	09:00	10:40	12:20	14:00	15:40	17:20
Ockelman Is.	09:21	11:01	12:41	14:21	16:01	17:41
Toth	09:39	11:19	12:59	14:39	16:19	17:59
Ockelman Is.	09:57	11:37	13:17	14:57	16:37	18:17



## Ticket Prices

	Adult		Child (under 16)	
	One way	Both ways	One way	Both ways
Carleton – Detlie Carleton – Toth Detlie – Munro Munro – Toth	\$3.40	\$5.10	\$2.00	\$3.00
Carleton – Munro Detlie – Toth	\$5.20	\$7.80	\$3.10	\$4.60
Carleton or Toth – Ockelman Is. – Carleton or Toth	–	\$6.30	–	\$3.80
<i>Day Roamer</i> Ticket: Mon, Tues, Wed, Thurs Fri, Sat, Sun	\$10.80 \$15.00		\$6.50 \$9.00	

The *Day Roamer* ticket allows unlimited travel between stops on the lake for one day, including Ockelman Island on Fridays, Saturdays and Sundays. It is only valid on the day for which it is bought.

Tickets from Carleton or Toth to Ockelman Island are only valid for travel on *Marie*. However, after visiting the island, passengers who travelled out from Carleton may travel on to Toth instead of returning to Carleton, and those who travelled out from Toth may travel on to Carleton instead of returning to Toth.

All other tickets are valid for travel by any route, but with these tickets passengers may not leave the boat at intermediate stops, except to change from one boat to another.

- (a) What is the earliest time in the day that a passenger sailing from Munro can arrive at Carleton on a Monday? [2]
- (b) On a day when *Marie* is operating, how much sooner can a passenger who is waiting at Carleton at 15:30 reach Toth by sailing on *Marie* rather than *Frances*? [2]

**[Question 4 continues on the next page]**

Ockelman Island is a nature reserve which is only open to the public on Fridays, Saturdays and Sundays. The number of visitors arriving onto the island and the number leaving are recorded each time *Marie* docks. This is done to make sure that nobody is left on the island after the last departure of the day.

This is last Saturday's record.

Number of Visitors	
Arriving	Departing
23	0
28	7
37	11
45	18
34	26
33	29
40	34
29	33
21	30
15	47
3	35
0	38

(c) How many visitors were there on Ockelman Island at 13:00 last Saturday? [2]

Mr. and Mrs. Sullivan and their two young children arrived at the Munro Ferry Stop at 09:05 on Sunday. They bought *Day Roamer* tickets, intending to explore the whole lake. They decided to start by sailing to Toth and then across to Ockelman Island as soon as possible. The children enjoyed the nature reserve so much that they stayed much longer than they had intended to and there was only time for them to return to Toth and sail back to Munro.

(d) How much more than necessary did the Sullivan family spend on their tickets? [3]

A total of 83 *Day Roamer* tickets were sold for Sunday. The total price of these tickets was \$1059.

(e) How many of the *Day Roamer* tickets sold for Sunday were Adult tickets? [2]

Susie is on holiday in nearby Bracken and wants to spend the day around Lake Veronica next Tuesday. She will arrive by train at Carleton Railway Station at 09:10. She will have over an hour to look around Carleton before setting off from the Ferry Terminal to explore the other three towns on the lake. She wants to spend at least one hour in both Detlie and Toth, and as long as she possibly can in Munro. Her train back to Bracken departs from Carleton at 20:35.

(f) In which order should Susie visit the other towns: Detlie, Munro, Toth, or Toth, Munro, Detlie? Support your answer by giving the greatest amount of time she could spend in Munro for each of the alternatives. [4]



**BLANK PAGE**

---

Permission to reproduce items where third-party owned material protected by copyright is included has been sought and cleared where possible. Every reasonable effort has been made by the publisher (UCLES) to trace copyright holders, but if any items requiring clearance have unwittingly been included, the publisher will be pleased to make amends at the earliest possible opportunity.

To avoid the issue of disclosure of answer-related information to candidates, all copyright acknowledgements are reproduced online in the Cambridge Assessment International Education Copyright Acknowledgements Booklet. This is produced for each series of examinations and is freely available to download at [www.cambridgeinternational.org](http://www.cambridgeinternational.org) after the live examination series.

Cambridge Assessment International Education is part of the Cambridge Assessment Group. Cambridge Assessment is the brand name of the University of Cambridge Local Examinations Syndicate (UCLES), which itself is a department of the University of Cambridge.